
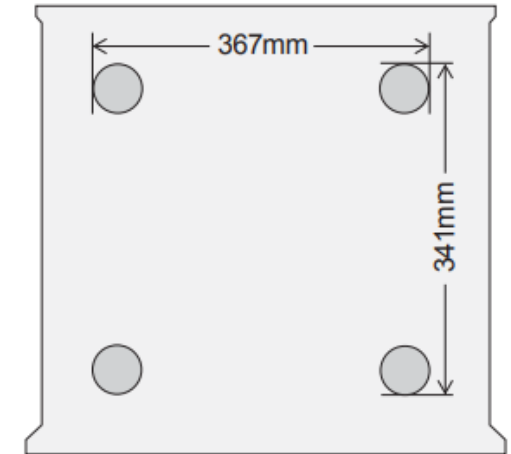


## SPECIFICATIONS

Rated output	110W + 110W (8Ω), 210W + 210W (4Ω)
Input sensitivity/ input impedance	PHONO (MM): 2.5mV/47kΩ PHONO (MC): 0.3mV/100Ω LINE : 180mV/47kΩ BAL.LINE : 180mV/79kΩ MAIN IN : 1.05V/47kΩ
Output voltage	PRE OUT : 1V
Frequency response	PHONO : 20Hz to 20kHz (±0.5dB) LINE : 20Hz to 100kHz (within -3dB)
Total harmonic distortion	0.007% or less (8Ω, 1kHz) 0.03% or less (8Ω, 20Hz to 20kHz)
S/N ratio (IHF-A)	PHONO (MM): 91dB or more PHONO (MC): 75dB or more LINE : 105dB or more
Volume adjustment	New LECUA1000
Amplification feedback circuit	LIFES 1.0
Output configuration	Bipolar 3-parallel push-pull
Damping factor	300

Max. amount of tone control	BASS: ±8dB at 100Hz TREBLE: ±8dB at 10kHz
Power supply	230V~(50Hz) / 115V~(60Hz)
Power consumption	350W 86W (under no signal), 0.4W (at standby)
External dimensions	440(W) x 178(H) x 454(D) mm front side knob of 20mm and rear side terminal of 27mm included in depth
Net weight	25.4kg (main unit)
Accessories	Remote control (RA-17A) Power cable
Speaker terminal Supported Y-lug terminal dimension	Width of part a: 15mm or less Width of part b: 8mm or more  * Connection may not be performed depending on the shape of the Y-lug terminal.



\* Slide the phase selector switch to the INVERT position to make the balanced input terminals pin No 2 to change to **HOT**, and No. 3 to **COLD**.

\* Meter lighting, monaural, subsonic, and loudness can be switched with the remote control.

\* Specifications and appearance are subject to change without notice. \* The products listed in this catalog do not include line cables. Please purchase cables separately.